

101

C O P E N H A G E N



Big Foot Stool - Nubuck

Designed by

Kristian Sofus Hansen &
Tommy Hyldahl

Big Foot Stool - Nubuck

Product Description

The Big Foot Stool is more than just a seat it's a bold expression of style and creativity, completing our Big Foot collection with a striking presence.

Inspired by the iconic 1970s upholstery movement, its thick cylindrical legs and geometric form exude confidence and charm. Whether used as an extra seat that moves effortlessly wherever needed or as a sculptural centrepiece that commands attention, this versatile piece transforms any space into a sanctuary of comfort and design. Elevate your surroundings with a statement that blends function, artistry, and timeless appeal.

The Nubuck leather upholstery brings a modern and sophisticated feel to the stool, combining luxurious texture with a contemporary aesthetic.

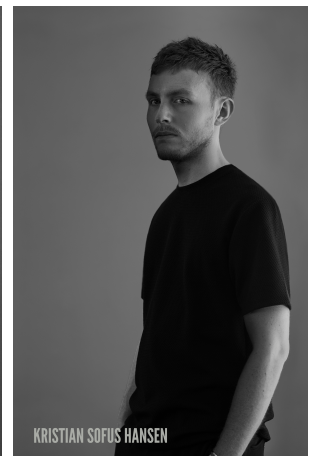
Designer Description

Tommy Hyldahl and Kristian Sofus Hansen intertwine their distinct sensibilities to create designs where storytelling, materiality, and timeless form meet in quiet harmony.

With a background in fashion, Tommy brings an intuitive eye for trends, colors, and textures. His process is one of layering histories, blending details and references from past design periods and reimagining them into something fresh and contemporary. Each collection unfolds as a narrative, evolving from concept to creation, with every element contributing to a greater story.

Kristian, who has lived and studied in Japan, seeks to unite Japanese aesthetics with Danish design, creating a characteristic twist on simplicity itself. His work is defined by the search for subtle, original details that elevate each piece with a unique signature. Drawing inspiration from art and sculpture, his creative process unfolds in new and exciting ways, always striving to craft designs that are both functional and timeless.

Together, they craft design that transcends time, poetic yet practical, expressive yet enduring.



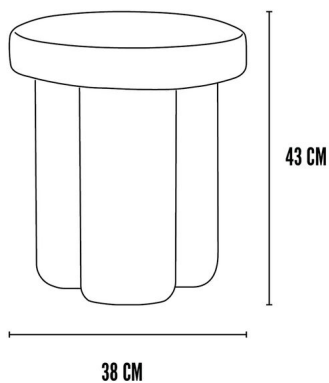
Big Foot Stool - Nubuck

Main

SKU	242003	Product Family	Big Foot
Product name	Big Foot Stool - Nubuck	Color	Nude - Nubuck
Product Type	Stool	Size	Regular
		Unit	Piece

Logistics

EAN number	4251501410065	Package - CBM	0.110
Package height in cm	50.00	Package - Weight KG	7.000
Package width in cm	47.00	Tariff Code No	9403609090
Package length in cm	47.00	Country of origin	China
Suitable for Courier	Yes	Quantity of Inner Boxes	1



Big Foot Stool - Nubuck

Product

Materials	Nubuck Leather	Net weight in kg	6
Item Height in cm	43.00	Space Suitability	
Item width in cm	38.00	Strength Test	No
Item length in cm	38.00	FSC Wood	No

Upholstery

Fabric	Nubuck Leather (NU30)	Cigarette Test - CAL-117	No
Martindale	50.000	Cigarette Test - EN 1021-1	Yes
Colour Fastness to Light	3	Cigarette Test - BS5852 Part 1	No
Pilling	5.000 Rubs	Match Flame Test - EN 1021-2	No
Oeko Tex	N/A	Ignition Source 5 (Crib 5) - BS 5852 Part 2	No
Fire Test Foam	CAL-117	NF P92-507 - Class M1	No

Big Foot Stool - Nubuck

Family Description Text

The Big Foot Collection is more than furniture; it is a sculptural language of bold forms and quiet strength. Rooted in the spirit of the 1970s yet reimagined for the present, it carries a presence that feels both commanding and inviting. Inspired by brutalist architecture and contemporary sculpture, each piece is anchored by its iconic cylindrical legs, modern in expression and timeless in character, lending every design a sense of quiet monumentality.

Within the collection, two worlds converge: the warmth of upholstery and the raw allure of fiber concrete. The upholstered pieces wrap their geometric silhouettes in softness, balancing resilience with comfort and offering a tactile invitation to pause, sink in, and stay. The fiber concrete designs, by contrast, suggest weight and permanence yet reveal themselves as astonishingly light, effortless to move, and full of surprising ease.

Every surface whispers a story. Upholstered in rich textiles, the pieces exude warmth and refinement, while the hand-painted concrete reveals a raw beauty that recalls the poetry of architecture and the fluid grace of sculpture. Together they speak in contrasts of softness and strength, permanence and change, intimacy and bold expression, woven into a harmonious dialogue of form and feeling.

The Big Foot Collection is sculpture for living. Each piece holds a commanding presence, whether standing as a centerpiece or quietly shaping the atmosphere of a room. With bold forms and hand-painted details, the collection transforms everyday function into art, turning spaces into sanctuaries where design and life merge seamlessly.

Color Description

Nude is the true natural beige tone of the hide, presented in its pure and authentic state. With its soft, velvety nubuck surface, this shade embodies raw simplicity and timeless elegance. Subtle and versatile, it provides a balanced foundation that pairs effortlessly with both warm and cool palettes.

Big Foot Stool - Nubuck

Maintenance Guide Description

Nubuck is a natural leather with a velvety, matte surface that evolves gracefully with time. To maintain its softness and depth, brush the surface regularly with a soft nubuck brush to lift the nap and prevent dust or dirt from settling. Avoid contact with water, oils, or abrasive objects, as Nubuck is sensitive to staining and scratching.

In the event of spills, blot immediately with a clean, dry cloth--never rub, as this may push liquid deeper into the hide. For light marks, use a specialized nubuck cleaning block or brush; for more persistent stains, professional leather care is recommended.

To preserve its character, keep Nubuck upholstery away from direct sunlight and heat sources, which can cause fading or drying. With mindful care, Nubuck develops a rich, personal patina that enhances its natural elegance and individuality over the years.

Materials Description

Nubuck is leather at its most tactile, lightly sanded to reveal a velvety surface with a soft, matte finish. Its suede-like texture invites touch, while natural tonal variations and markings add depth and individuality. Sensitive to wear and environment, Nubuck evolves beautifully with time, developing a rich patina that reflects the intimacy of use and becomes uniquely personal.